

### Thermocouple Type : BT-VH 3

#### Special features:

- ceramic insulation of the measuring point against heat dissipation outward
- very good heat-absorbing of the hemispherical measuring point by argentiferous brazing alloy

**thermoelectric voltages** : Fe-CuNi ½ DIN 43710 (L)  
Fe-CuNi DIN EN 60584, Kl. 1 (J)  
NiCr-Ni DIN EN 60584, Kl. 1 (K)

**sensor tip** : Ø 6/ 8 mm

**installation depth** : ca. 20 to 150 mm  
(or to customer)

**nipple** : Ms 58 nickel-plated

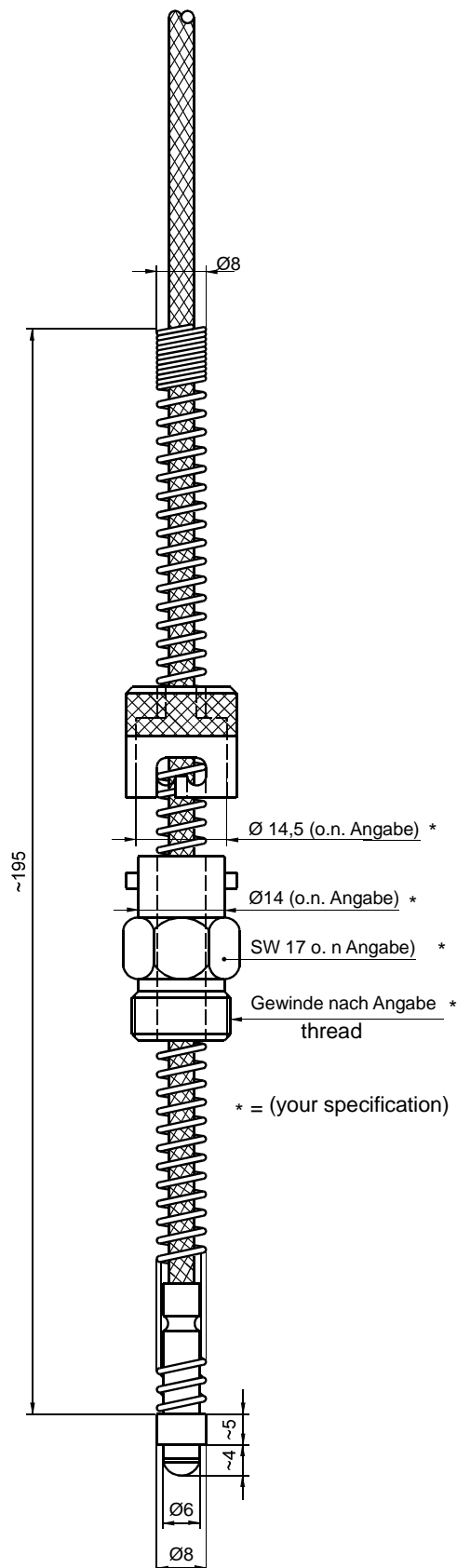
**bayonet cap** : Ms 58 nickel-plated

**compression spring** : V2A

**controll point** : ceramic insulated/  
hemispherical

**operation temperature** : to max. 400°C

**thermocouple wire** : 2 x 0,35 mm<sup>2</sup>  
fiber glass insulation  
and specially impregnated  
wire mesh from soft galvanized  
iron wires



### Thermocouple Type : BT-VP 3

#### Special features:

- ceramic insulation der measuring point against heat dissipation outward

**thermoelectric voltages** : Fe-CuNi ½ DIN 43710 (L)  
Fe-CuNi DIN EN 60584, Kl. 1 (J)  
NiCr-Ni DIN EN 60584, Kl. 1 (K)

**sensor tip** : Ø 6/ 8 mm

**installation depth** : ca. 15 to 150 mm  
(or to customer)

**nipple** : Ms 58 nickel-plated

**bayonet cap** : Ms 58 nickel-plated

**compression spring** : V2A

**controll point** : ceramic insulated/ plane

**operation temperature** : to max. 400°C

**thermocouple wire** : 2 x 0,35 mm<sup>2</sup>  
fiber glass insulation  
and specially impregnated  
wire mesh from soft galvanized  
iron wires

