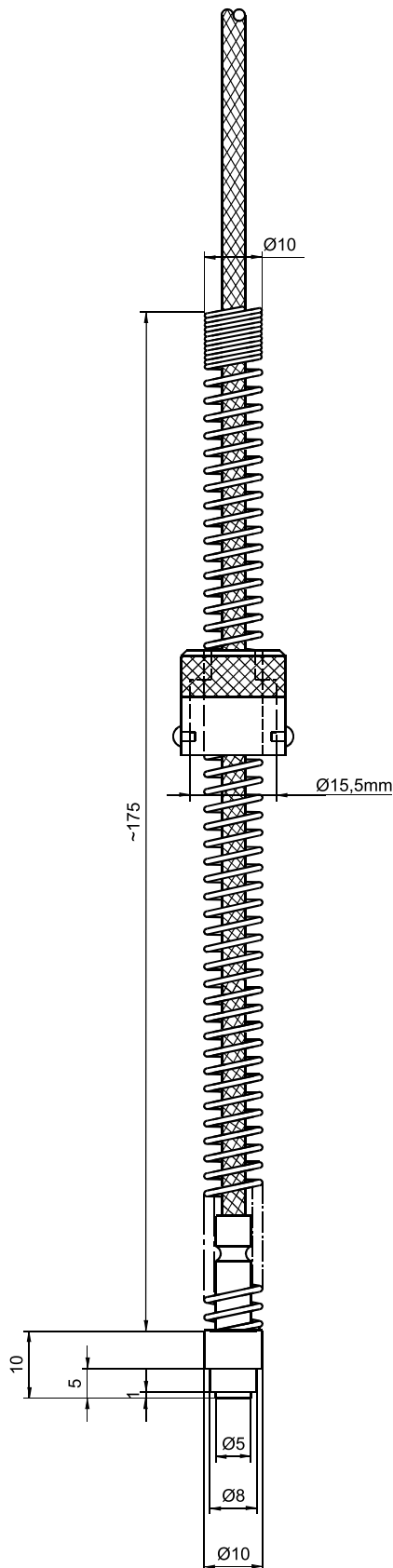


Thermocouple Type : BT-KP 42 gS



thermoelectric voltages : Fe-CuNi ½ DIN 43710 (L)
Fe-CuNi DIN EN 60584, Kl. 1 (J)
NiCr-Ni DIN EN 60584, Kl. 1 (K)

sensor tip : Ø 5/8/10 mm (VA)

installation depth : ca. 15 to 130 mm

bayonet cap : Ms 58 nickel-plated
(with dowel inside)

compression spring : V2A

control point : welded / plane

operation temperature : to max. 400°C

thermocouple wire : 2 x 0,35 mm²
fiber glass insulation
and specially impregnated
wire mesh from soft galvanized
iron wires

**Other customer preferences are possible
Subject to modifications!**

06/11