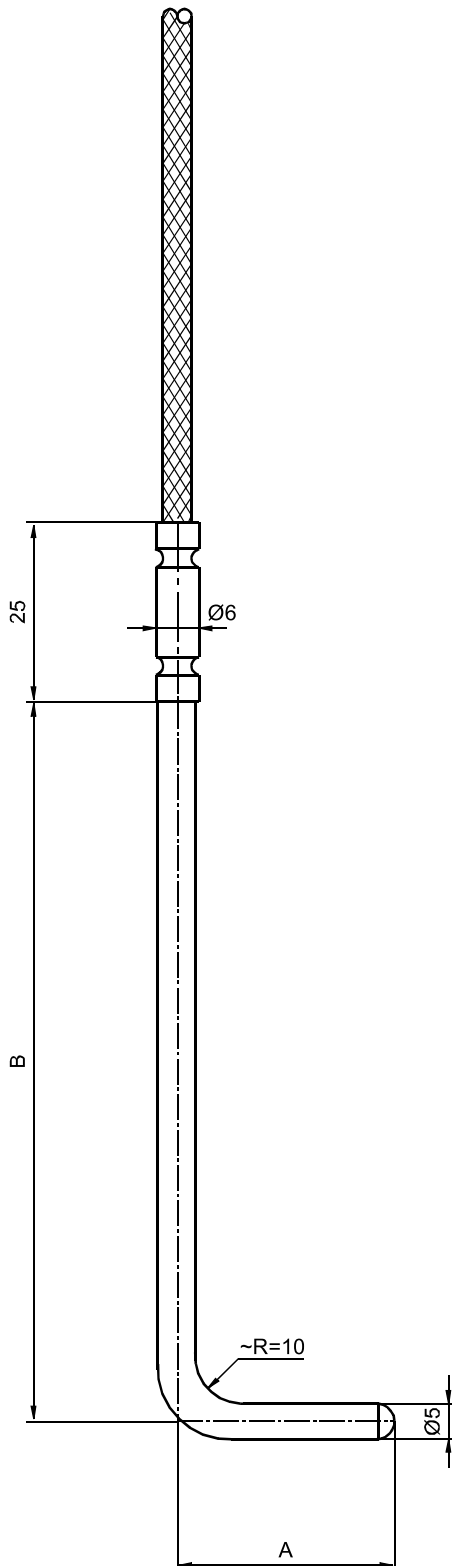


Angle-Thermocouple  
Type : WST-H 4



**thermoelectric voltages** : Fe-CuNi ½ DIN 43710 (L)  
Fe-CuNi DIN EN 60584, Kl. 1 (J)  
NiCr-Ni DIN EN 60584, Kl. 1 (K)

**sensor tip** : Ø 5 mm (VA)

**installation depth** : A+B to customer

**control point** : soldered/ hemispherical

**operation temperature** : to max. 400°C

**thermocouple wire** : 2 x 0,35 mm<sup>2</sup>  
fiber glass insulation  
and specially impregnated  
wire mesh from soft galvanized  
iron wires

**Other customer preferences are possible**  
**Subject to modifications!**

25/03