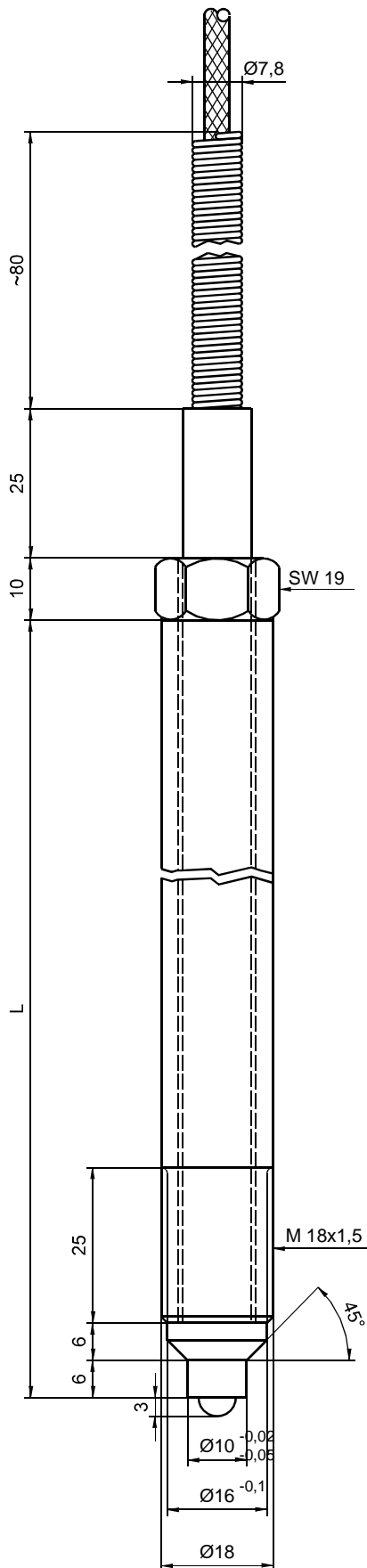


### Melt-Thermocouple Type : MAT-H 22



<b>thermoelectric voltages</b>	: Fe-CuNi ½ DIN 43710 (L) Fe-CuNi DIN EN 60584, Kl. 1 (J) NiCr-Ni DIN EN 60584, Kl. 1 (K)
<b>sensor tip</b>	: Ø 6 mm / hemispherical embedded in cement or ceramic
<b>shaft length</b>	: L to customer
<b>screw-in</b>	: thread M 18 x 1,5 Material 1.4305 SW 19
<b>kink protection: spring</b>	: V2A
<b>thermowell</b>	: Material 1.4571 cone seal
<b>measuring insert</b>	: Material 1.4571 / 1.4305
<b>pressure</b>	: to max. 1200 kp/cm <sup>2</sup>
<b>operation temperature</b>	: to max. 400°C
<b>thermocouple wire</b>	: 2 x 0,35 mm <sup>2</sup> fiber glass insulation and specially impregnated wire mesh from soft galvanized iron wires