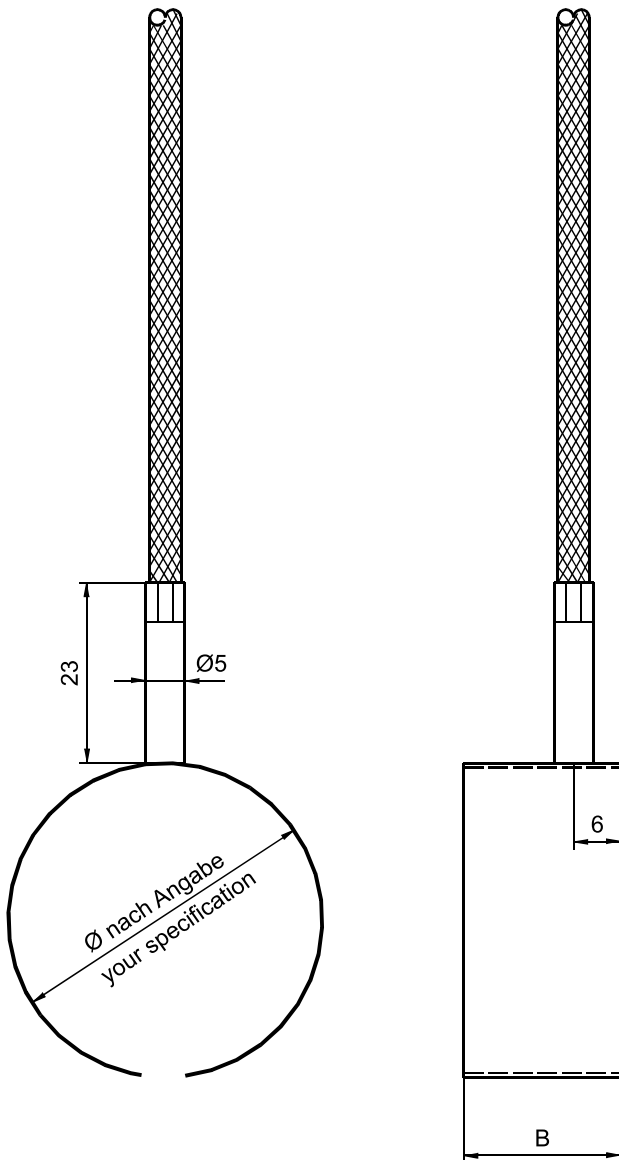


Clamp-Thermocouple
Type : KLT-O



thermoelectric voltages : Fe-CuNi ½ DIN 43710 (L)
Fe-CuNi DIN EN 60584, Kl. 1 (J)
NiCr-Ni DIN EN 60584, Kl. 1 (K)

control point : soldered

operation temperature : to max. 400°C

dimensions : size D and B to customer
from width 37 mm connection at the edge (according to drawing)
from width 38 mm connection in center

thermocouple wire : 2 x 0,35 mm²
fiber glass insulation
and specially impregnated
wire mesh from soft galvanized
iron wires

**Other customer preferences are possible
Subject to modifications!**

25/03