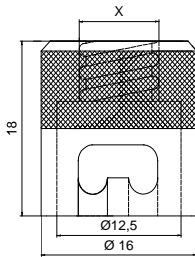
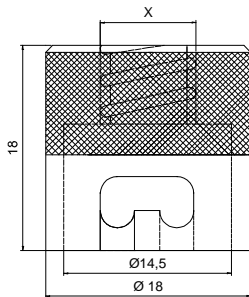


bayonet caps/ immersion sleeves / reducers

bayonet cap "k"



bayonet cap "n"

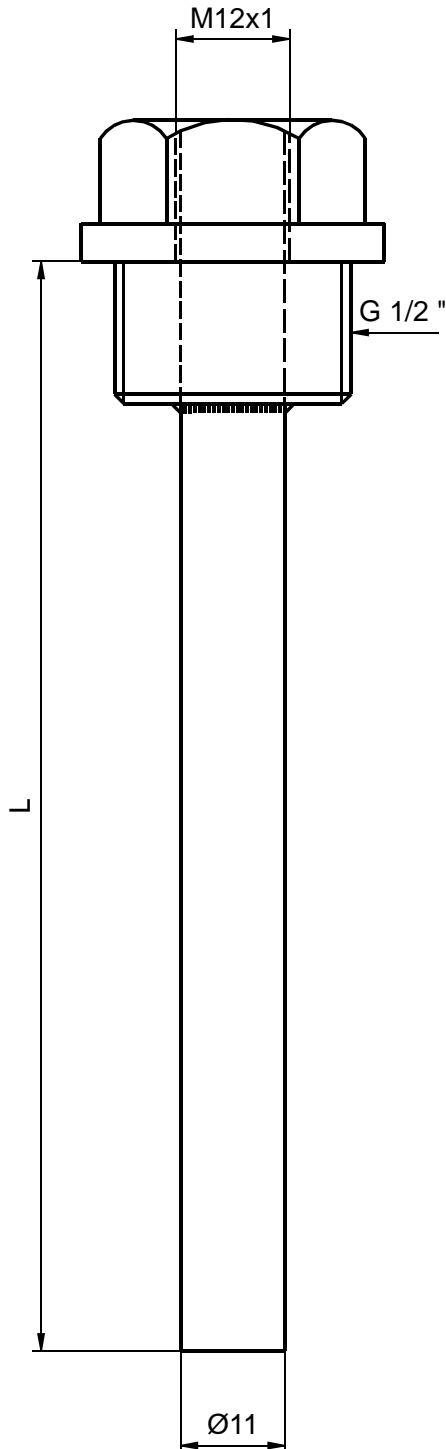


bayonet caps		
009.041	"k"	ID=12,5 / AD= 16 x 18 mm for spring D=8 mm
009.128	"k"	ID=12,5 / AD= 16 x 18 mm for spring D=6 mm
009.058	"n"	ID=14,5 / AD= 18 x18 mm for spring D=8 mm
009.130	"n"	ID=14,5 / AD= 18 x18 mm for spring D=6 mm
009.057	"gS"	ID=15,5x18 mm (D= 21 x 18)
009.056	"g"	ID=16,8x18 mm (D= 19 x 18)
009.068	"n16"	ID=13,6x18 mm (D= 16 x 18)
009.124	"m"	ID=10,5x15 mm (D= 12 x 15)
009.042	"n-VMS"	special bayonet cap (ID= 14,8 x 18 mm) with cross and lengthwise milling incl. special spring clip
009.043	"k-VMS"	special bayonet cap (ID= 12,8 x 16 mm) with cross and lengthwise milling incl. special spring clip
009.044	"gS-VMS"	special bayonet cap (ID= 15,5 x 18 mm) with cross and lengthwise milling incl. special spring clip
immersion sleeves G 1/2"		
2005.0092	D = 11 mm/ G1/2" / M 12x1/ ET 50 incl. thread	
2005.0090	D = 11 mm/ G1/2" / M 12x1/ ET 100 incl. thread	
2005.0096	D = 11 mm/ G1/2" / M 12x1/ ET 150 incl. thread	
2005.0089	D = 11 mm/ G1/2" / M 12x1/ ET 200 incl. thread	
2005.0097	D = 11 mm/ G1/2" / M 12x1/ ET 300 incl. thread	
2005.0095	D = 11 mm/ G1/2" / M 12x1/ ET 400 incl. thread	
Andere depth of immersion are possible (Data Sheet 2005)		
reducers		
007.252	M 12x1 to M 8x1 / 10 mm long slotted	
007.260	G 3/8" to M 10x1	

Subject to modifications!

13/18

Immersion sleeves



immersion pipe : Ø 11 mm (or to customer)

material : 1.4301

installation depth : L to customer incl. thread

female thread : M 12x1 (to customer)

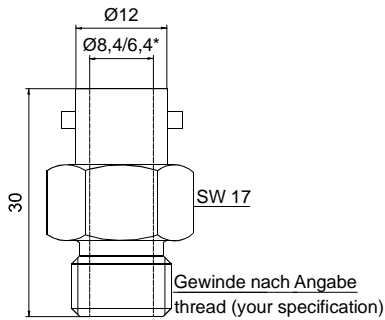
male thread : G ½" (to customer)

**Other customer preferences are possible
Subject to modifications!**

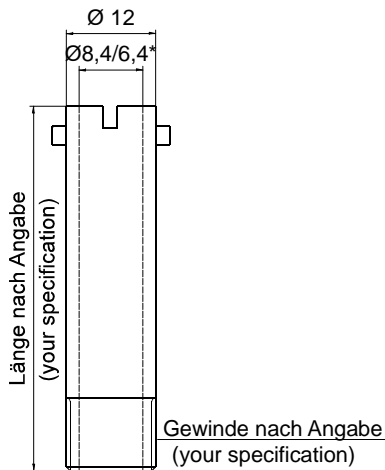
13/18

Nipple

Nipple "k"



Nipple "k"



*** internal bore \varnothing 6,4 mm
at a thread
M 10, M 10x1 and G1/8"**

Nipple "k" (AD= 12 mm)

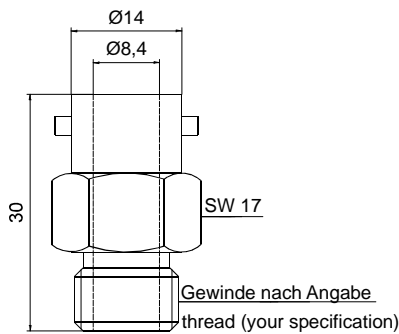
007.267	G 1/4" / SW 17	30 mm long
007.042	G 3/8" / SW 17	30 mm long
007.043	M 12x1 / SW 17	30 mm long
007.045	M 12x1	22 mm long slotted
007.046	M 12x1	50 mm long slotted
007.320	M 12x1	100 mm long slotted
007.266	M 14x1,5	30 mm long
007.276	M 14x1,5	50 mm long with laterally drill holes
007.258	M 10 / SW 14	30 mm long
007.259	M 10x1 / SW 14	30 mm long
007.265	M 10x1	35 mm long slotted
007.275	M 10x1	60 mm long slotted
007.292	M 12 / SW 17	30 mm long
007.239	M 12	22 mm long slotted
007.297	M 12	25 mm long slotted
007.298	M 12	40 mm long slotted
007.299	M 12	60 mm long slotted
007.300	M 12	80 mm long slotted
007.301	M 12	120 mm long slotted
007.253	M 8x0,75	43 mm long slotted (special version)
007.277	M 8x0,75	45 mm long; (special version)
007.269	M 14	34 mm long slotted
007.278	M 14	61 mm long slotted
007.308	G1/8" (kon.)	22 mm long slotted
007.309	G1/8" (kon.)	35 mm long slotted
007.310	G1/8" (kon.)	63,5 mm long slotted
007.311	G1/8" (kon.)	80 mm long slotted

Subject to modifications!

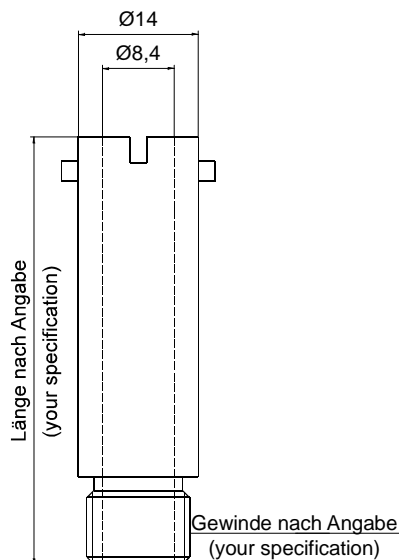
13/18

Nipple

Nipple "n"



Nipple "n"



Nipple "n" (AD= 14 mm)

007.048	G 3/8" / SW 17	30 mm long
007.102	G 1/4" / SW 17/	30 mm long
007.052	G 1/4" / SW 17	60 mm long
007.047	M 12x1 / SW 17	30 mm long
007.255	M 12x1 / SW 17	60 mm long
007.251	M 12x1	25 mm long slotted
007.066	M 12x1	40 mm long slotted
007.050	M 12x1	50 mm long slotted
007.254	M 12x1	60 mm long slotted
007.049	M 14x1,5 / SW17	30 mm long
007.051	M 14x1,5	40 mm long slotted
007.182	M 14x1,5	50 mm long slotted
007.247	M 14x1,5	60 mm long slotted
007.183	M 14x1,5	80 mm long slotted
007.053	M 12 / SW 17	30 mm long

Nipple "n16" (AD= 12,8 mm)

007.240	G 1/4"	52 mm long
007.270	G 1/4"	100 mm long
007.249	G 1/4"	150 mm long

Nipple "m" (AD= 9,7 mm)

007.123	M 10x1 / SW 11	20 mm long
---------	----------------	------------

Nipple "gs"(AD= 15 mm)

007.271	M 14x1,5	60 mm long(AD=15 mm)
---------	----------	----------------------

Nipple "g"(AD= 16 mm)

007.295	M 14x1,5	80 mm long with setl. hole (AD=16mm)
---------	----------	--------------------------------------

Subject to modifications!

13/18